

**EXISS**  
THE MARK OF EXCELLENCE

**BUMPER PULL**  
SLANT LOAD HORSE TRAILERS

**EXISS**  
THE MARK OF EXCELLENCE



For more information, use your smartphone's QR reader to find out more about the Exiss lineup.



1 (877) 553-9477 | 900 E. Trail Blvd. | El Reno, OK 73036 | [www.exiss.com](http://www.exiss.com) | [sales@exiss.com](mailto:sales@exiss.com)

In keeping with its policy of continuous improvement, Exiss reserves the right to make specification changes at any time without notice or obligation. All dimensions listed in this brochure are approximate. Illustrations may include optional equipment.

© 2011 Exiss | Version 11.6

1 (877) 553-9477 // [www.exiss.com](http://www.exiss.com) // [sales@exiss.com](mailto:sales@exiss.com)

 BY UNIVERSAL TRAILER

# A RELIABLE SOLUTION

Exiss understands your passion for your horses and the lifestyle that goes with it. That's why we offer a complete line of bumper pull horse trailers loaded with features that represent the best value in the industry. Exiss has more than 15 years of experience in producing a wide variety of bumper pull horse trailers intended to make your life easier and keep your horses safer. And today, our objective remains unchanged—to build bumper pull horse trailers that perfectly fit your needs. Contact a local Exiss dealer today to check out our selection of bumper pull horse trailers.



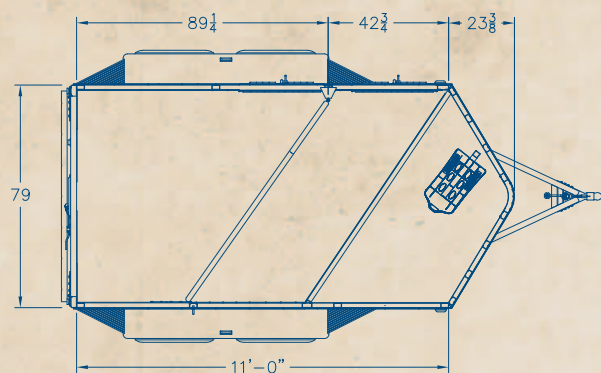
# 6'8" WIDE MODELS



## MODEL 2H EXPRESS BP

**Model:** Express 2H BP  
**Horse Stalls:** 2 Horse  
**Tack Room:** 0' Shortwall  
**Rear Doors:** 50/50 Doors  
**Wheels:** 15" Steel Modular

**Load Type:** Slant  
**Stall Width:** 42"  
**Inside Height:** 7'  
**Rear Tack:** N/A  
**Axle Size:** (2) 3,500 lbs



The Express 2H model is the most affordable and convenient slant load model in the Exiss bumper pull lineup. This trailer features all-aluminum construction, a separate dressing room, saddle rack, curbside and streeside air gaps, radial tires and rubber torsion axles. Additional options can be added to customize your trailer exactly the way you want it.



## WE PUT OURSELVES IN YOUR BOOTS

When it's time to make a major purchase, it's nice to have confidence that your selection was built the right way. As a proud member of the **National Association of Trailer Manufacturers**, not only do our trailers meet all NATM requirements, but they're built with your safety and satisfaction as our goal.

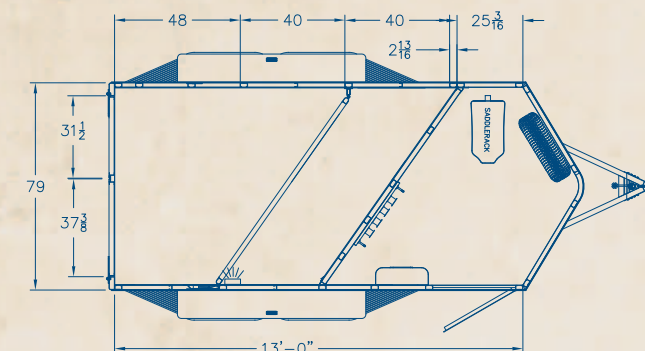
In keeping with its policy of continuous improvement, Exiss reserves the right to make specification changes at any time without notice or obligation. All weights and dimensions listed in this brochure are approximate. Illustrations may include optional equipment.



## MODELS 620 & 630 CXT

**Models:** 620 & 630 CXT  
**Horse Stalls:** 2 & 3 Horse  
**Tack Room:** 2' Shortwall  
**Wheels:** 16" Steel Modular  
**Rear Doors:** 50/50 stock type

**Load Type:** Slant  
**Stall Width:** 40"  
**Inside Height:** 7'  
**Axle Size:** (2) 3,500 lbs  
**Rear Tack:** Optional

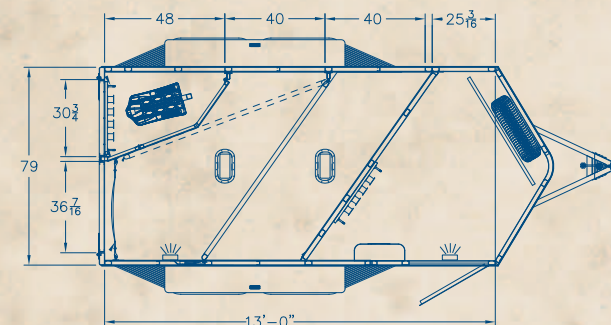


These models, complete with a fully-equipped dressing room and an all-purpose horse area, offer everything that you need for a safe, smooth ride. With standard air gaps in the horse area, these trailers are perfect for horse owners in a warm weather climate or anyone who needs maximum air flow.

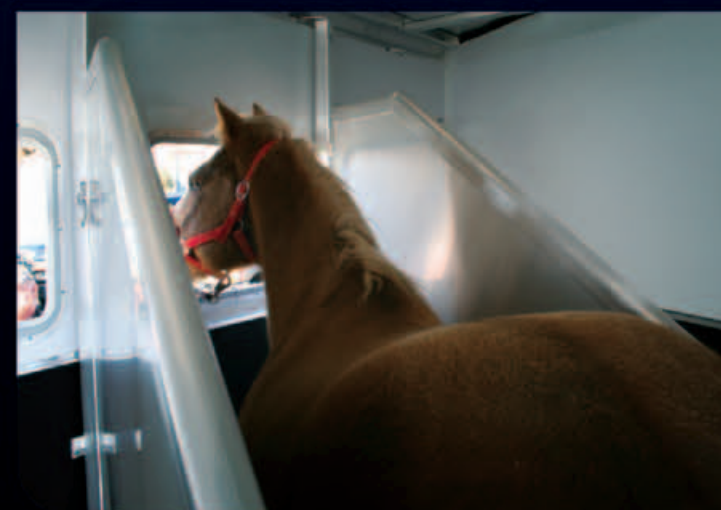
## MODELS 620 & 630 BP

**Models:** 620 & 630 BP  
**Horse Stalls:** 2 & 3 Horse  
**Tack Room:** 2' Shortwall  
**Wheels:** 16" Steel Modular  
**Rear Doors:** 50/50 doors

**Load Type:** Slant  
**Stall Width:** 40"  
**Inside Height:** 7'  
**Axle Size:** (2) 3,500 lbs  
**Rear Tack:** Standard



These fully-equipped, slant-load bumper pulls are available in 2 or 3 horse models, and have all the essential features (like drop down feed doors, folding rear tack and a fully equipped dressing room) at a price you'll love.



# 7' WIDE MODELS



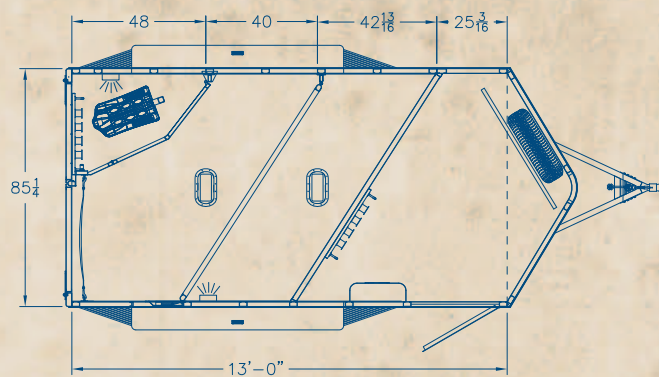
## MODELS 720 & 730 BP

- Model:** 720 & 730 BP
- Horse Stalls:** 2 & 3 Horse
- Tack Room:** 2' Shortwall
- Wheels:** 16" Steel Modular
- Rear Doors:** 50/50 doors
- Load Type:** Slant
- Stall Width:** 40"
- Inside Height:** 7'
- Axle Size:** (2) 3,500 lbs
- Rear Tack:** Standard



\*Shown with optional equipment

These slant load, 2H & 3H bumper pulls have the looks, features and performance of a higher priced trailer at an incredible value. The Exiss 720 & 730 BP models feature spacious layouts, durable construction and impressive styling for the savvy trailer buyer.



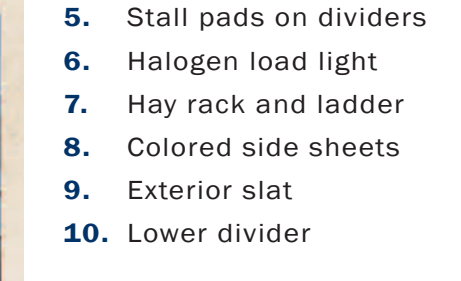
**WE STAND BEHIND OUR TRAILERS!** To demonstrate our confidence in our trailers, we've increased our warranty coverage! Now, all new 2012 Exiss bumper pull trailers come standard with a fully transferrable, eight-year limited warranty. See your local authorized Exiss dealership for details.

**38 TRANSFERABLE WARRANTY**  
3 YEARS LIMITED / 8 YEARS STRUCTURAL



### POPULAR OPTIONS

1. Exterior graphics
2. Drop down step
3. Aluminum wheels
4. Rear ramp
5. Stall pads on dividers
6. Halogen load light
7. Hay rack and ladder
8. Colored side sheets
9. Exterior slat
10. Lower divider



## MODEL SPECIFICATIONS & COMPARISONS

Trailer Model	Belly Length	Interior Height	Outside Width	Shortwall Length	Horse Stalls	Rear Tack	Est. Empty Weight	Wheel Size	Tire Specs	Axle Size
Express 2H	11'0"	7'	6'8"	0'	2H	Optional	2,280	15"	8 ply	(2) 3,500
620 CXT	13'0"	7'	6'8"	2'	2H	Optional	2,600	16"	10 ply	(2) 3,500
630 CXT	16'0"	7'	6'8"	2'	3H	Optional	2,940	16"	10 ply	(2) 3,500
620 BP	13'0"	7'	6'8"	2'	2H	Standard	2,700	16"	10 ply	(2) 3,500
630 BP	16'0"	7'	6'8"	2'	3H	Standard	3,080	16"	10 ply	(2) 3,500
720 BP	13'0"	7'	7'0"	2'	2H	Standard	2,900	16"	10 ply	(2) 3,500
730 BP	16'0"	7'	7'0"	2'	3H	Standard	3,300	16"	10 ply	(2) 3,500



## CUSTOM MODELS AVAILABLE

If you don't see the exact model that you're interested in, call your local dealer to inquire about an Exiss custom trailer. Available in almost limitless sizes, configurations and styles, an Exiss custom trailer is a great way to get exactly what you want from your trailer.